

leggett & platt. fashion bed™

5950 West 51st Street – Chicago, IL 60638

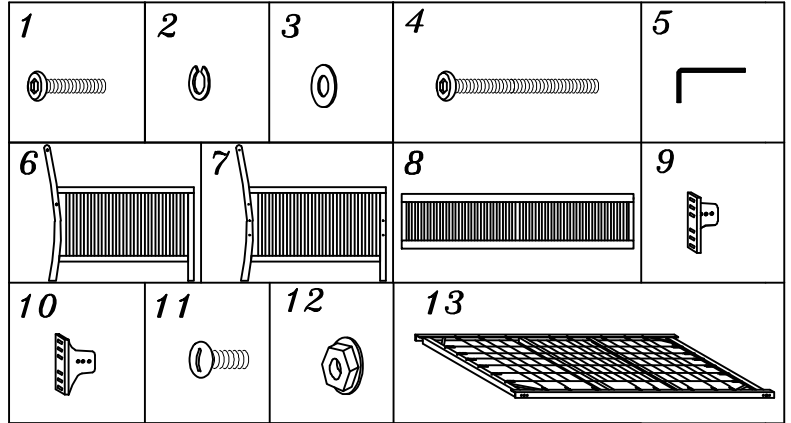
Parts List Mission Daybed

PART #381001 HARDWARE BAG FOR DAYBED

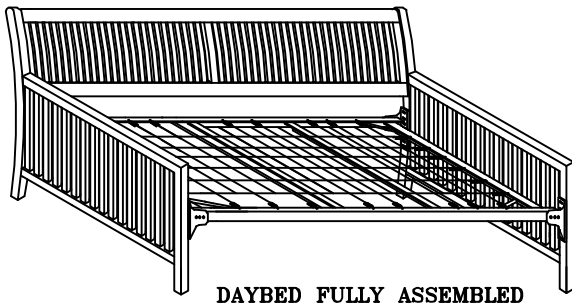
- (1) 1/4-20 X 1" FLAT ALLEN HEAD SCREW-8
- (2) 1/4" ID SPRING WASHER- 8
- (3) 1/4" X 5/8" OD FLAT METAL WASHER- 8
- (4) 1/4"-20 X 2 1/2" FLAT ALLEN HEAD SCREW-4
- (5) ALLEN WRENCH-1

- DAYBED PARTS:**
- (6) RIGHT SIDE-1
 - (7) LEFT SIDE-1
 - (8) BACK PANEL-1

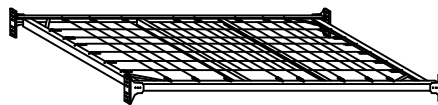
- LINK SPRING PARTS:**
- (9) LEFT BRACKET-2
 - (10) RIGHT BRACKET-2
 - (11) 5/16-18 SCREW-4
 - (12) 5/16-18 HEX NUT-4
 - (13) SUPPORT DECK-1



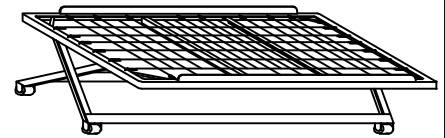
SAVE ALL PACKAGING MATERIALS UNTIL PRODUCT IS FULLY ASSEMBLED. HARDWARE AND SMALL PIECES MAY NOT BE SEEN AND BE ACCIDENTALLY DISCARDED WITH PACKAGING MATERIALS.



MATTRESS LINK SPRING FULLY ASSEMBLED



OPTIONAL



POP-UP TRUNDLE

Instruction Sheet

- For ease of assembly you will need a helper.
- Periodically retighten all screws.

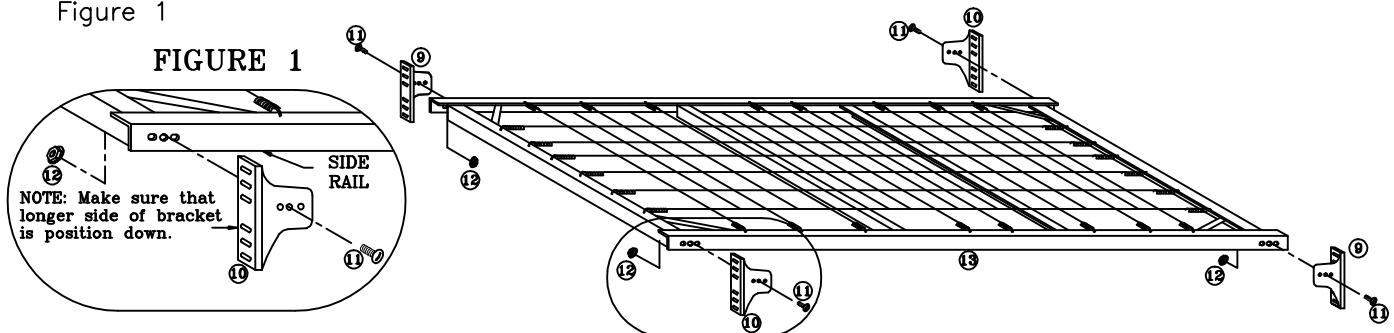
Step 1- Locate Hardware bags for Daybed & Link Spring Assembly

- Hardware bag for daybed assembly is located inside the daybed box.
- Link spring hardware bag located below the link spring cross bar.

Step 2- Link Spring Assembly

- Attach left & right bracket (9&10) to side rails using screw (11) and nuts (12). See Figure 1

FIGURE 1



NOTE: Make sure that longer side of bracket is position down.

10-24-11

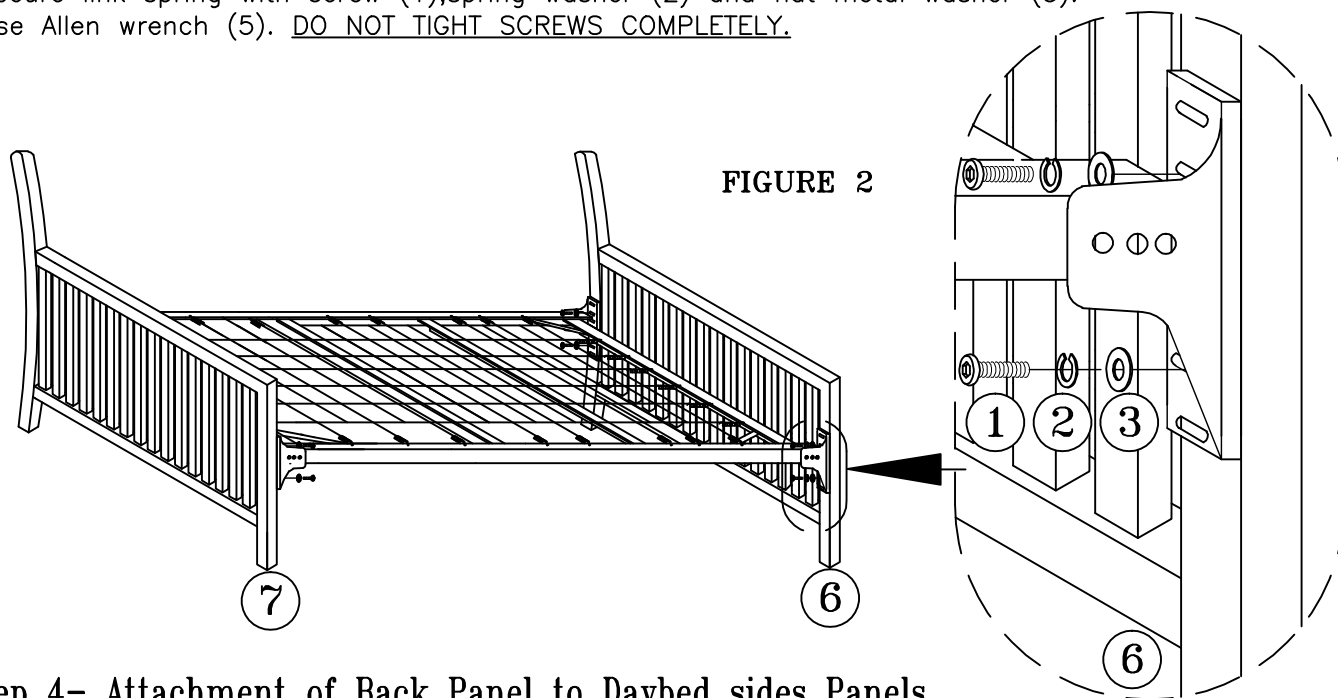
3810

1 OF 2

Instruction Sheet

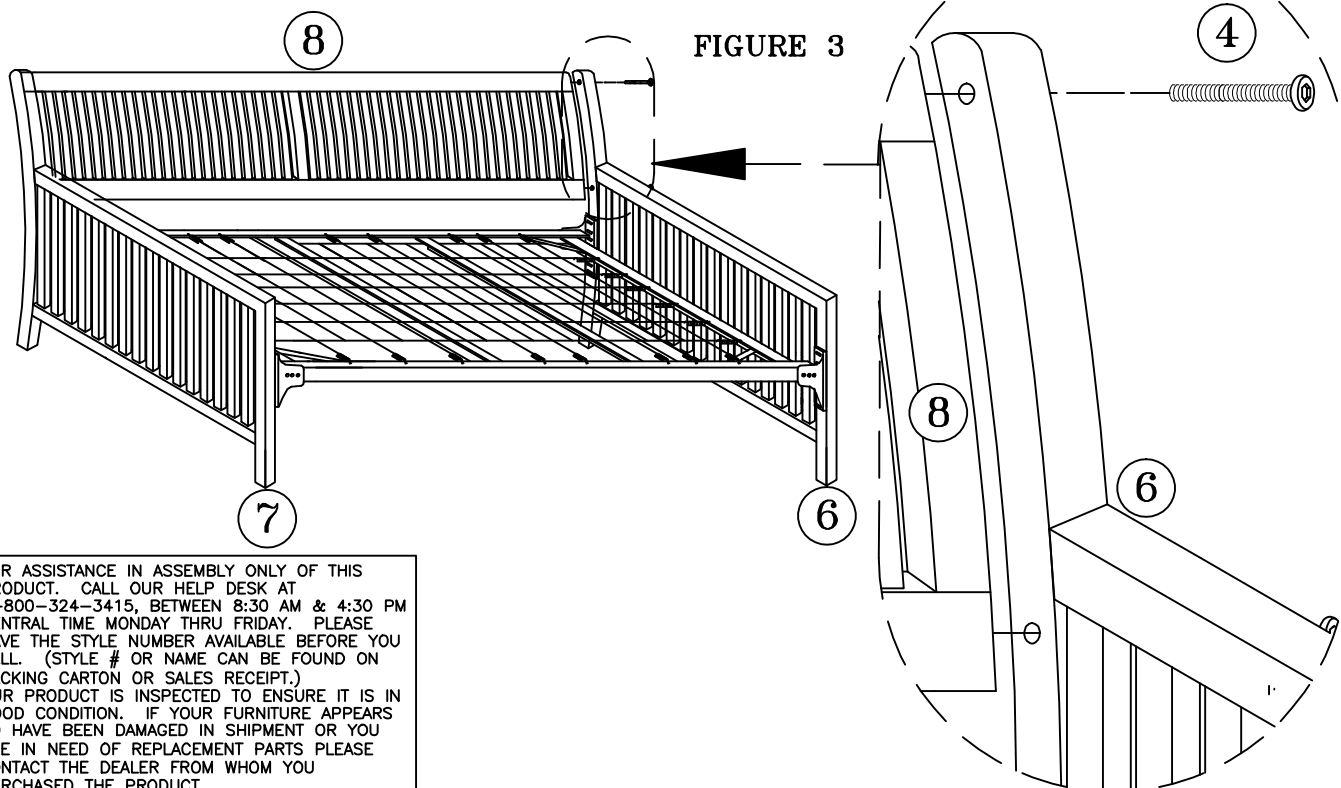
Step 3- Attachment of Link Spring to Daybed sides Panels

- Align holes on link spring brackets with threaded holes on side panel (6 & 7) post. SEE FIGURE 2
- Secure link spring with screw (1), spring washer (2) and flat metal washer (3).
- Use Allen wrench (5). DO NOT TIGHTEN SCREWS COMPLETELY.



Step 4- Attachment of Back Panel to Daybed sides Panels

- Align threaded holes on back panel (8) with holes on side panels (6 & 7) post. SEE FIGURE 3
- Secure back panel (8) with screw (4).
- Tighten screw (4) with Allen wrench (5).
- Now Tighten screws (1) completely. SEE FIGURE 2



FOR ASSISTANCE IN ASSEMBLY ONLY OF THIS PRODUCT. CALL OUR HELP DESK AT 1-800-324-3415, BETWEEN 8:30 AM & 4:30 PM CENTRAL TIME MONDAY THRU FRIDAY. PLEASE HAVE THE STYLE NUMBER AVAILABLE BEFORE YOU CALL. (STYLE # OR NAME CAN BE FOUND ON PACKING CARTON OR SALES RECEIPT.) OUR PRODUCT IS INSPECTED TO ENSURE IT IS IN GOOD CONDITION. IF YOUR FURNITURE APPEARS TO HAVE BEEN DAMAGED IN SHIPMENT OR YOU ARE IN NEED OF REPLACEMENT PARTS PLEASE CONTACT THE DEALER FROM WHOM YOU PURCHASED THE PRODUCT.

10-24-11

3810

2 OF 2